

□57mm

三相混合式步进电机

3-Phase Hybrid Stepper Motor



通用技术条件 GENERAL SPECIFICATIONS

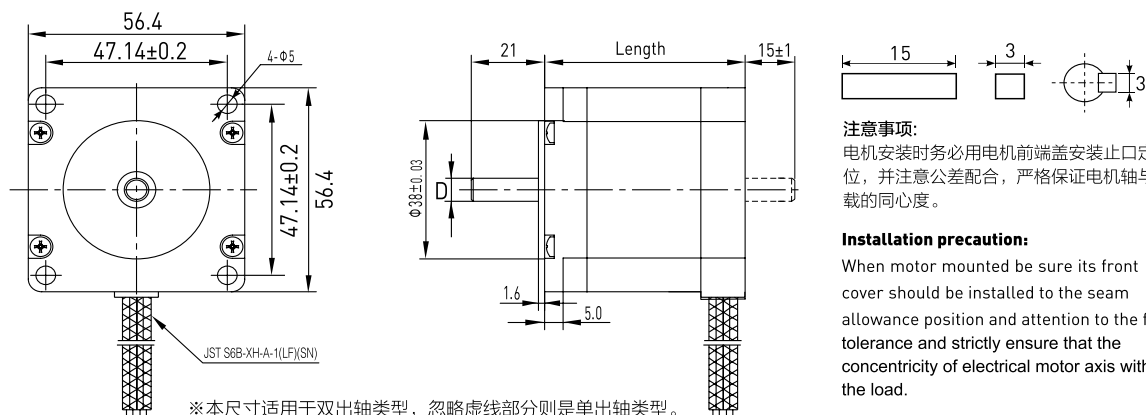
步距精度 Step Angle Accuracy	电阻精度 Resistance Accuracy	电感精度 Inductance Accuracy	温升 Temperature Rise	环境温度 Ambient Temperature	绝缘电阻 Insulation Resistance	耐压 Dielectric Strength	径向跳动 Allowable Radial Load	轴向跳动 Allowable Thrust Load
±5%	±10%	±20%	80°C Max.	-20°C ~ +50°C	100MΩMin 500VDC	500V AC 1minute	0.06mm Max. (450g load)	0.08mm Max. (450g load)

技术参数 SPECIFICATIONS

电机型号 Motor Model	基本步距角 Step angle (°)	电机长度 Length L(mm)	保持转矩 Holding Torque (N.m)	额定电流 Current (A)	线电阻 Resistance (Ω)	线电感 Inductance (mH)	转子惯量 Model (g.cm ²)	轴径 Shaft Diameter D(mm)	轴伸 Axis Stretch (mm)	电机重量 Weight (kg)
57HC41-52V6-21	1.2	40.5	0.45	5.2	0.24	0.22	100	6.35	双平台0.85×8	0.5
57HC54-56V6-21		53.5	0.9	5.6	0.24	0.27	520	6.35	双平台0.85×8	0.75
57HC77-58U8-21		76.4	1.5	5.8	0.29	0.39	380	8.0	平键3×15	1.1
57HC102-52U8-21		102	2.0	5.8	0.38	0.5	530	8.0	平键3×15	1.57

*以上仅为代表性产品，派生产品可根据客户要求制作。*Note: We can manufacture products according to customer's requirements.

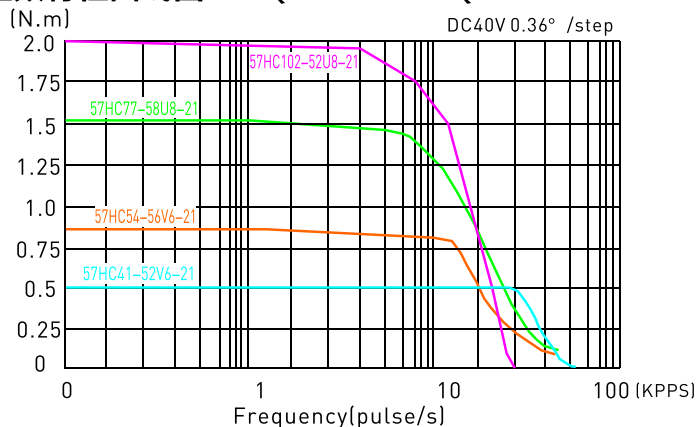
外形尺寸(单位: mm) DIMENSIONS (Unit:mm)



注意事项:
电机安装时务必用电机前端盖安装止口定位，并注意公差配合，严格保证电机轴与负载的同轴度。

Installation precaution:
When motor mounted be sure its front cover should be installed to the seam allowance position and attention to the fit tolerance and strictly ensure that the concentricity of electrical motor axis with the load.

矩频特性曲线图 FREQUENCY-TORQUE CHARACTERISTICS



接线图 WIRING DIAGRAM

