

□ 86mm

直流无刷(伺服)电机

■ 通用规格 General Specifications

Winding Type..... Star
Temperature Rise..... 120°C electrical angle
Insulation Class..... B
Ambient Temperature Range..... -20°C~+50°C
Insulation Resistance..... 100MΩ Min.500VC DC
Dielectric Strength..... 700V AC 1 minute



■ 电机参数 Electrical Specifications:

型号Model	86BF98-30L24	86BF125-30L48	86BF151-30L48	86BF151-30H310
极数Number of Poles	8	8	8	8
相数Number of Phases	3	3	3	3
额定电压Nominal voltage VDC	24	48	48	310
额定转速Rated speed RPM	3000	3000	3000	3000
额定扭矩Rated Torque N.m	0.8	1.6	2.4	2.4
额定电流Rated Current Amps	14	14	21	3.3
输出功率Output Power Watts	250	500	750	750
峰值扭矩Peak Torque N.m	2.4	4.8	7.2	7.2
峰值电流Peak Current Amps	42	42	63	10
力矩常数Torque constant N.m/A	0.06	0.115	0.115	0.73
反电势常数BackEMF V/kRPM	4.2	8.2	8.2	55
转动惯量Rotor inertia g · cm²□	0.8	1.6	2.4	2.4
电机长度Body Length (L) mm	98	125	151	151
重量Mass kg	1.85	2.6	4.0	4.0
编码器Encoder	1000P/R(2500P/R可选)			

警戒：峰值力矩仅作为参数参考,接近或在此条件下长期使用,将导致电机损坏。

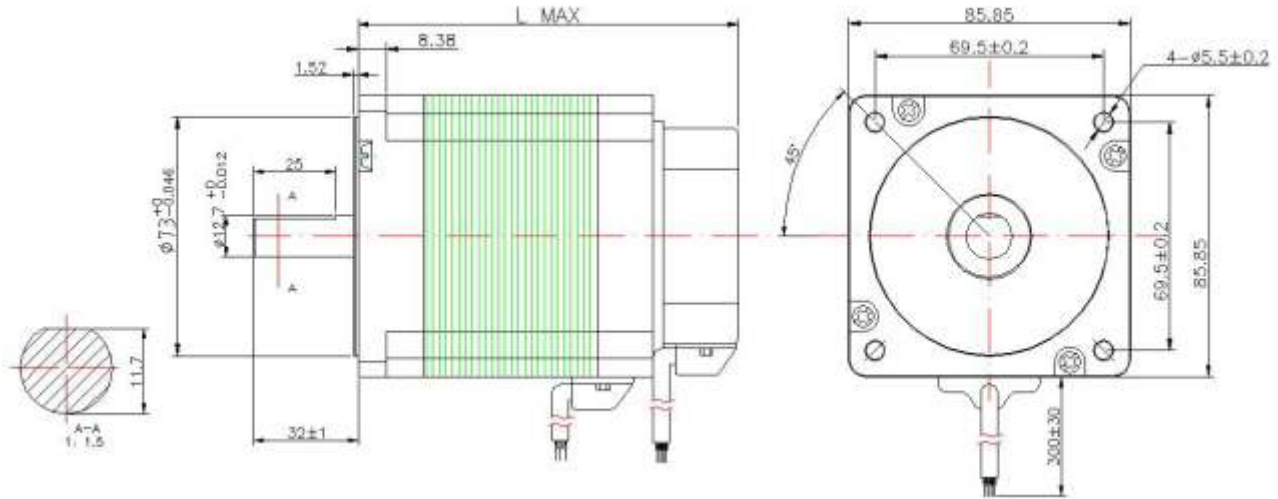
Caution: Peak (Stall) Torque is provided for the purpose of performance calculations only. Operate near, or at, a stalled condition will result in motor damaged.

注意：以上仅为代表产品,电压,功率、转速可根据客户要求制作。

Note: We can also manufacture products according to customer's requirements.

■ 外形图纸 Mechanical Dimensions

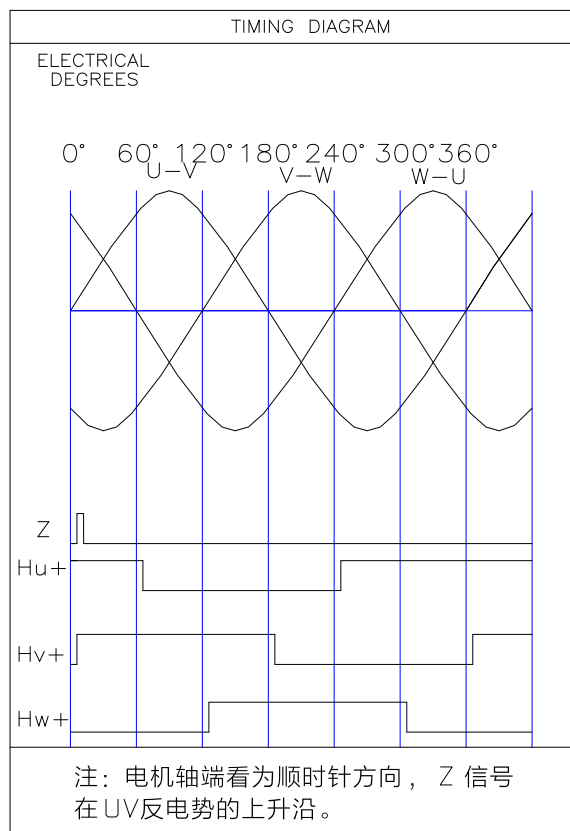
Unit: mm



■ 电机接线顺序 Motor Wiring Sequence

序号	编码器接线								霍尔接线					电机接线		
	1	2	3	4	5	6	7	8	1	2	3	4	5	1	2	3
颜色	红	黑	蓝	蓝白	绿	绿白	黄	黄白	红	黑	黄	绿	蓝	黄	绿	蓝
相序	+5V	GND	A+	A-	B+	B-	Z+	Z-	+5V	GND	HU	HV	HW	U	V	W

反电势相序图 EMF Phase Sequence Diagram



编码器技术规格 Encoder Technical Specifications

